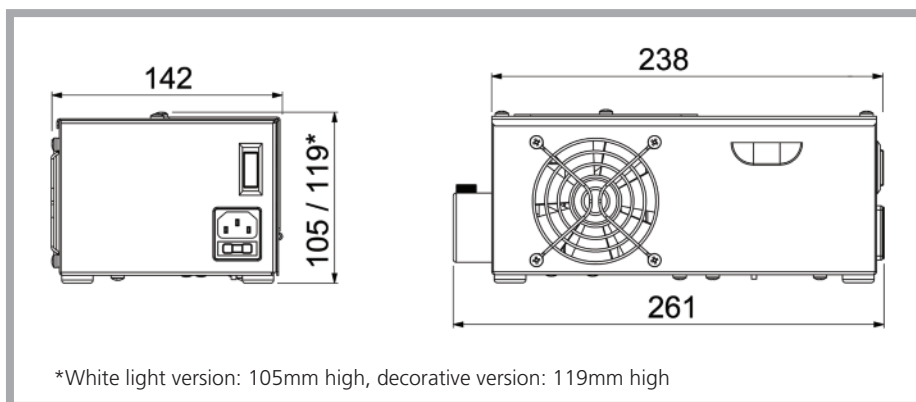


## Aurora Tungsten Halogen Light Source



**A versatile and compact tungsten halogen light source, the Aurora is suitable for multiple applications.**

It is available in two models - decorative and white light. The decorative version can be installed with either a colour or a twinkle wheel, whilst the white light model can be fitted with static colour filters. The Aurora is fitted with a 12V DC fan to allow mains controlled dimming and can optionally be specified with an integral manual dimmer to allow dimming control from the unit itself.

The Aurora features low noise and heat output and is available with a choice of three lamp sizes- 50W, 75W or 100W.

Description	50W	75W	100W
Port connector size	30mm diameter	30mm diameter	30mm diameter
Fibre type	Glass/Polymer	Glass/Polymer	Glass/Polymer
Supply voltage	230 VAC 50 Hz	230 VAC 50 Hz	230 VAC 50 Hz
Lamp power	50W	75W	100W
Input power @ 240VAC	69.6VA	91.2VA	127.2VA
Start up current @ 240VAC	0.31A	0.49A	0.73A
Running current @ 240VAC	0.29A	0.38A	0.53A
Thermal protection	Self reset thermal switch	Self reset thermal switch	Self reset thermal switch
Min. ambient temperature	-20°C	-20°C	-20°C
Max. ambient temperature	40°C	40°C	40°C
Main fuse	0.5 Amp	0.63 Amp	0.80 Amp
Power cord	IEC mains cable	IEC mains cable	IEC mains cable
Fan type	Papst 8412NGLE	Papst 8412NGLE	Papst 8412NGLE
Lamp type	Tungsten Halogen	Tungsten Halogen	Tungsten Halogen
Lamp model	EXT	EYF	Osram 64637
Lamp colour temperature	3000K	3000K	3000K
Acoustic rating	31.5 dB(A)	31.5 dB(A)	31.5 dB(A)
Operating environment	Indoor / dry	Indoor / dry	Indoor / dry
Protection rating	IP20	IP20	IP20
Material	Sheet steel	Sheet steel	Sheet steel
Colour	Black	Black	Black
Size	WL: 261x142x105mm Dec: 261x142x119mm	WL: 261x142x105mm Dec: 261x142x119mm	WL: 261x142x105mm Dec: 261x142x119mm
Weight	Dec: 2.1kg / WL: 1.9kg	Dec: 2.1kg / WL: 1.9kg	Dec: 2.1kg / WL: 1.9kg



For current specification part numbers, please see the light source configuration tool on our website.