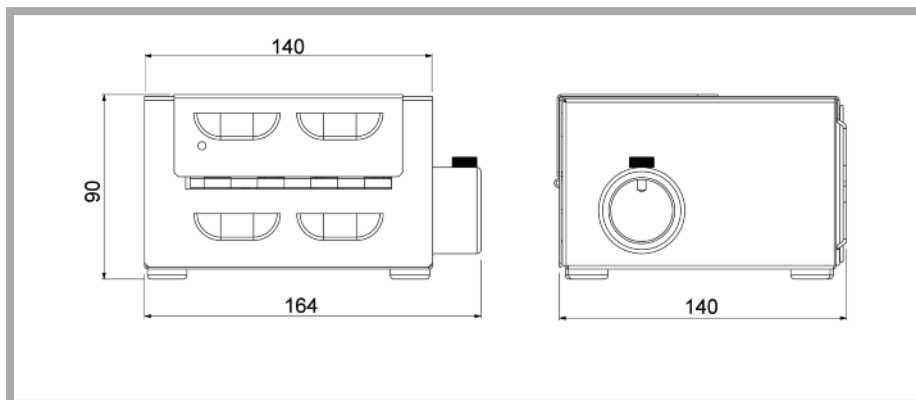


Light Source Specification



Ixion Tungsten Halogen Light Source



A very compact tungsten halogen light source, the Ixion is suitable for use with either glass or polymer fibre.

Powered by an external 12VDC power supply unit, the Ixion can be used in countries with either 240VAC or 120VAC mains electrical supplies.

The Ixion features very low noise and heat output and is available with a choice of five lamp sizes - 35W, 42W, 50W, 75W or 100W.

Description	35W	42W	50W	75W	100W
Port connector size	30mm diameter	30mm diameter	30mm diameter	30mm diameter	30mm diameter
Fibre type	Glass/Polymer	Glass/Polymer	Glass/Polymer	Glass/Polymer	Glass/Polymer
Supply voltage	120/240 VAC 50/60 Hz	120/240 VAC 50/60 Hz	120/240 VAC 50/60 Hz	120/240 VAC 50/60 Hz	120/240 VAC 50/60Hz
Lamp power	35W	42W	50W	75W	100W
Input power @ 240VAC	33.6VA	40.8VA	69.6VA	91.2VA	127.2VA
Start up current @ 240VAC	0.149A	0.172A	0.31A	0.49A	0.73A
Running current @ 240VAC	0.14A	0.17A	0.29A	0.38A	0.53A
Min. ambient temperature	-20°C	-20°C	-20°C	-20°C	-20°C
Max. ambient temperature	40°C	40°C	40°C	40°C	40°C
Thermal protection	Thermal switch	Thermal switch	Thermal switch	Thermal switch	Thermal switch
Fan fuse	0.5A	0.5A	0.5A	0.5A	0.5A
Power cord	External power supply	External power supply	External power supply	External power supply	External power supply
Fan type	Papst 8412NGLE (12V)	Papst 8412NGLE (12V)	Papst 8412NGLE (12V)	Papst 8412NGLE (12V)	Papst 8412NGLE (12V)
Lamp type	Tungsten Halogen	Tungsten Halogen	Tungsten Halogen	Tungsten Halogen	Tungsten Halogen
Lamp model	FMT	Philips 13861	EXT	EYF	Osram 64637
Lamp colour temperature	2950K	2900K	3000K	3000K	3000K
Acoustic rating	31.0 dB(A)	31.0 dB(A)	31.0 dB(A)	31.0 dB(A)	31.0 dB(A)
Operating environment	Indoor / dry	Indoor / dry	Indoor / dry	Indoor / dry	Indoor / dry
Protection rating	IP20	IP20	IP20	IP20	IP20
Material	Sheet steel	Sheet steel	Sheet steel	Sheet steel	Sheet steel
Colour	Black	Black	Black	Black	Black
Size	164x140x90mm	164x140x90mm	164x140x90mm	164x140x90mm	164x140x90mm
Weight	0.9kg	0.9kg	0.9kg	0.9kg	0.9kg

For current specification part numbers, please see the light source configuration tool on our website.

