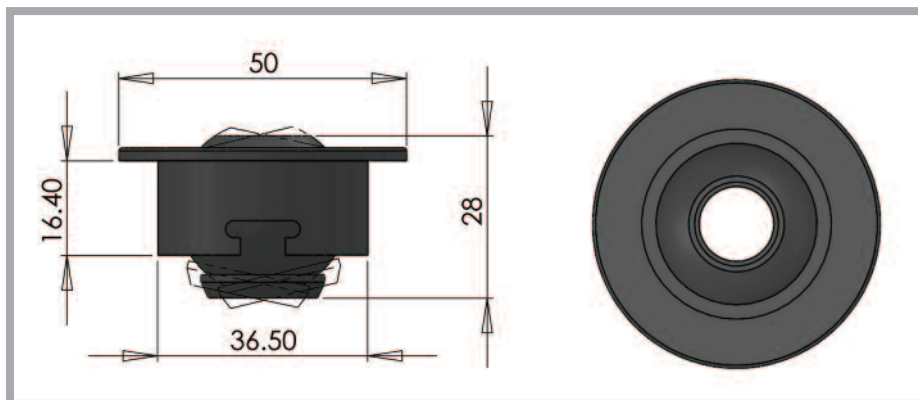
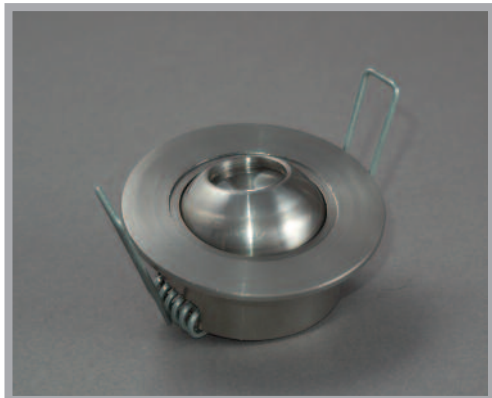


UFO 11D Downlight



An adjustable recessed downlight fitting, secured through ceiling with spring clips.

Available in a range of finishes, this fitting can be rotated and tilted to point directly at any objects to be illuminated. The fitting also allows for the light beam to be focused. The fitting is also suitable for mounting in the base of a display case and illuminating upwards.

Description	
Lens	Clear focusing lens
Material	Aluminium, stainless steel or polycarbonate/ABS
Colours available	Polished aluminium, stainless steel chrome, black, white, ivory
Focus range	30° - 50°
Flange size	Ø50 mm
Tilt	20°
Rotate	360°
Weight	47.1g (aluminium) 21.9g (polycarbonate)
Mounting hole size	40 mm
Mounting	Recessed, held by springs
Ferrule size	M10 or 8mm smooth
Min. fibre size	2 mm
Max. fibre size	8 mm

Our downlight fittings are suitable for use in a variety of different applications and are the ideal solution for the illumination of static objects within a display case or cabinet.

Uses include:

- Museum and gallery cabinet and display lighting
- Accentuation of pictures and other objects
- Illumination of shop displays