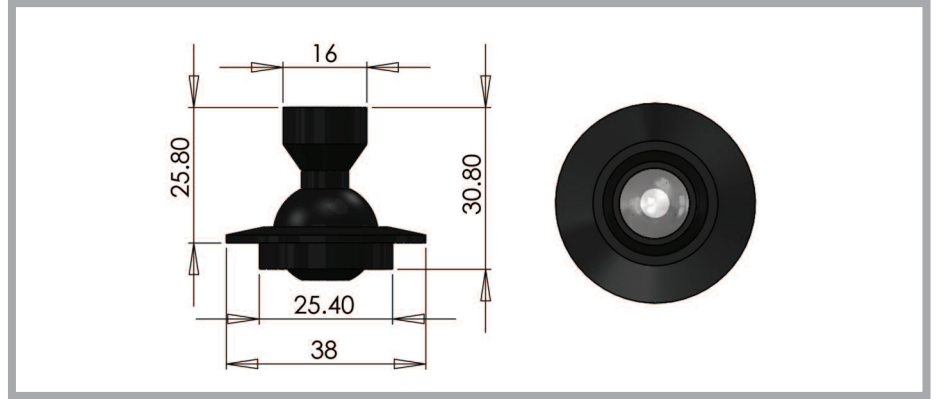


UFO 20D Downlight



An adjustable downlight fitting with trumpet, secured through ceiling with spring clips.

Available in a range of finishes, this fitting can be rotated and tilted to point directly at any objects to be illuminated. The fitting also allows for the light beam to be focused. The fitting is also suitable for mounting in the base of a display case and illuminating upwards.

Description	
Lens	Clear focusing lens
Material	Aluminium
Colours available	Black, white, polished aluminium
Focus range	15° - 30°
Size	Ø38 mm
Tilt	60°
Rotate	360°
Weight	24.5g
Mounting hole size	28mm
Mounting	Recessed, held by springs
Ferrule size	M7
Min. fibre size	2 mm
Max. fibre size	4.5 mm

Our downlight fittings are suitable for use in a variety of different applications and are the ideal solution for the illumination of static objects within a display case or cabinet.

Uses include:

- Museum and gallery cabinet and display lighting
- Accentuation of pictures and other objects
- Illumination of shop displays