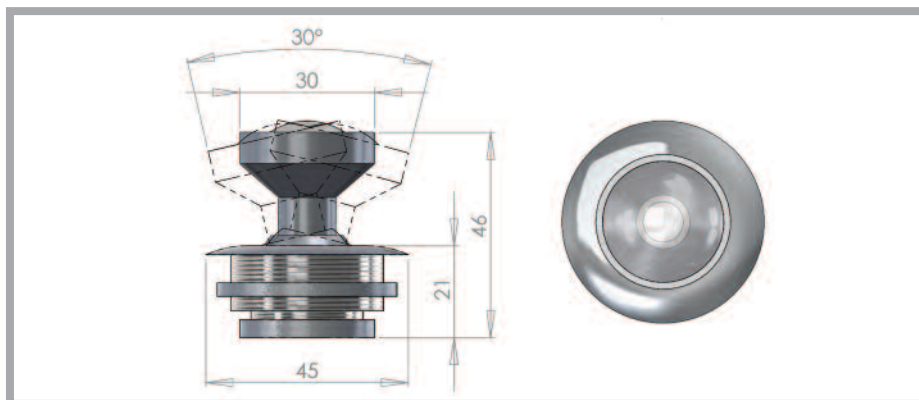
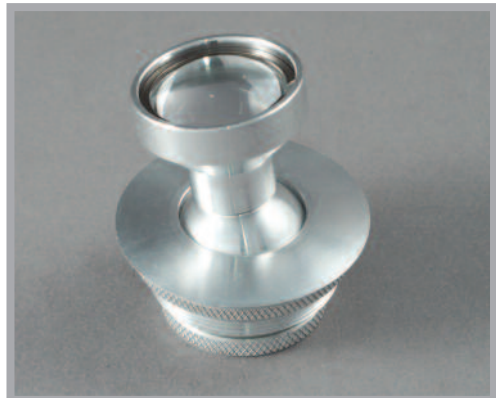


## UFO 28H Hermetic Downlight Fitting



The UFO 28H downlight fitting allows an airtight seal to be maintained within a display case when using fibre optics.

Description	
Glass	Domed focusing lens
Focus range	40° - 65°
Material	Aluminium
Colours available	Polished aluminium, chrome, black, white
Flange size	45 mm
Weight	50 g
Mounting hole size	38 mm
Ferrule size	M10 or 8 mm smooth
Min. fibre size	2 mm
Max. fibre size	8 mm

These fittings are made from aluminium and the air seal is maintained by a series of three o-rings around the flange, eyeball and ferrule.

The ferrule is tightened fully onto the fitting and the focus adjustment is made using the trumpet. The further onto the ferrule the trumpet is screwed, the wider the beam.

The tight tolerances attained during manufacture help ensure many years of reliable operation.